

MCT91501, MCT91502, MCT91503, MCT91504

915 - 927 MHz Hand Held Transmitter with Fast Frequency Hopping

Features include:

- Available with 1, 2, 3 or 4 channels, 8, 12 and 16-channels is available with the larger case.
- Fast Frequency Hopping operates on several frequencies for interference or jamming immunity.
- Uses a standard 9-volt alkaline battery.
- 12-way dipswitch (4096 codes) or Encrypted (Over 16 million codes).
- More than 1 button can be press at a time, i.e. simultaneous channel transmission.
- Flashing LED indicates a flat battery.
- Can operate several transmitters next to each other with no interferences or jamming.
- Available with standard Elsema labels or custom labels.
- Each transmission includes a CRC checksum for a high level of security and reliability, even in the nosiest electrical environments.
- Built in Electro Static Protection (ESD).



Typical Applications

- Industrial and commercial automation systems.
- Industrial monitoring.
- Security and Automotive Systems.
- Remote Keyless Entry for high Security Sites.
- Equipment and machinery control, eg Crane Control, winches, cement truck operation, lights etc
- Advanced home automation, eg Alarms, gates, doors, garden lights, swimming pool control etc

General Description

The transmitters use fast frequency hopping (FFH) to allow up to eight transmitters to be used in the same area. No interference or jamming will occur. The FFH technology is usually used in very expensive equipment with military and medical applications. Elsema has developed a world first low cost, light weight hand held FFH transmitter.

The transmitters use a dual digital coding called Multicode Technology (MCT). This MCT digital coding can be either the 12-way dipswitch or the encrypted coding.

The 12-way dip switch allows for simple programming and involves the user to simply match the 12-way dip switch on both the transmitter and receiver. The encrypted coding is a random generated code which is programmed wirelessly to the transmitter and receiver. The encrypted code is usually used when more codes are required for high security applications. See setup instructions for more details on the dipswitch and encrypted coding.

The combination of FFH and MCT technology brings you a very sophisticated transmitter yet easy to use.

Technical Data

Supply Voltage		9-Volt Alkaline Battery (Absolute maximum 11.0 Volts)	
Current Consumption		52.00mA	
Standby Current		8 uA	
LED	Flashing Red LED	Replace battery, battery at 6 volts	
	Orange LED Flashes	Encrypted code successfully programmed.	
Frequency Band	For Australia	915 to 928 MHz	
	For Canada & USA	915 to 927 MHz	
	For New Zealand	921 to 928 MHz	
Dual Digital Coding System		12-way dip switch (4096 Codes)	
		Encrypted coding (Over 16 million codes)	
Operating Temperature		-5° to +50° Celsius	
Dimensions		96 x 55 x 20 mm	
Weight		50 g (Excluding battery)	
Operating Range		Up to 400 metres	
Compatible Receivers		All MCR915 series	

Products in the Range

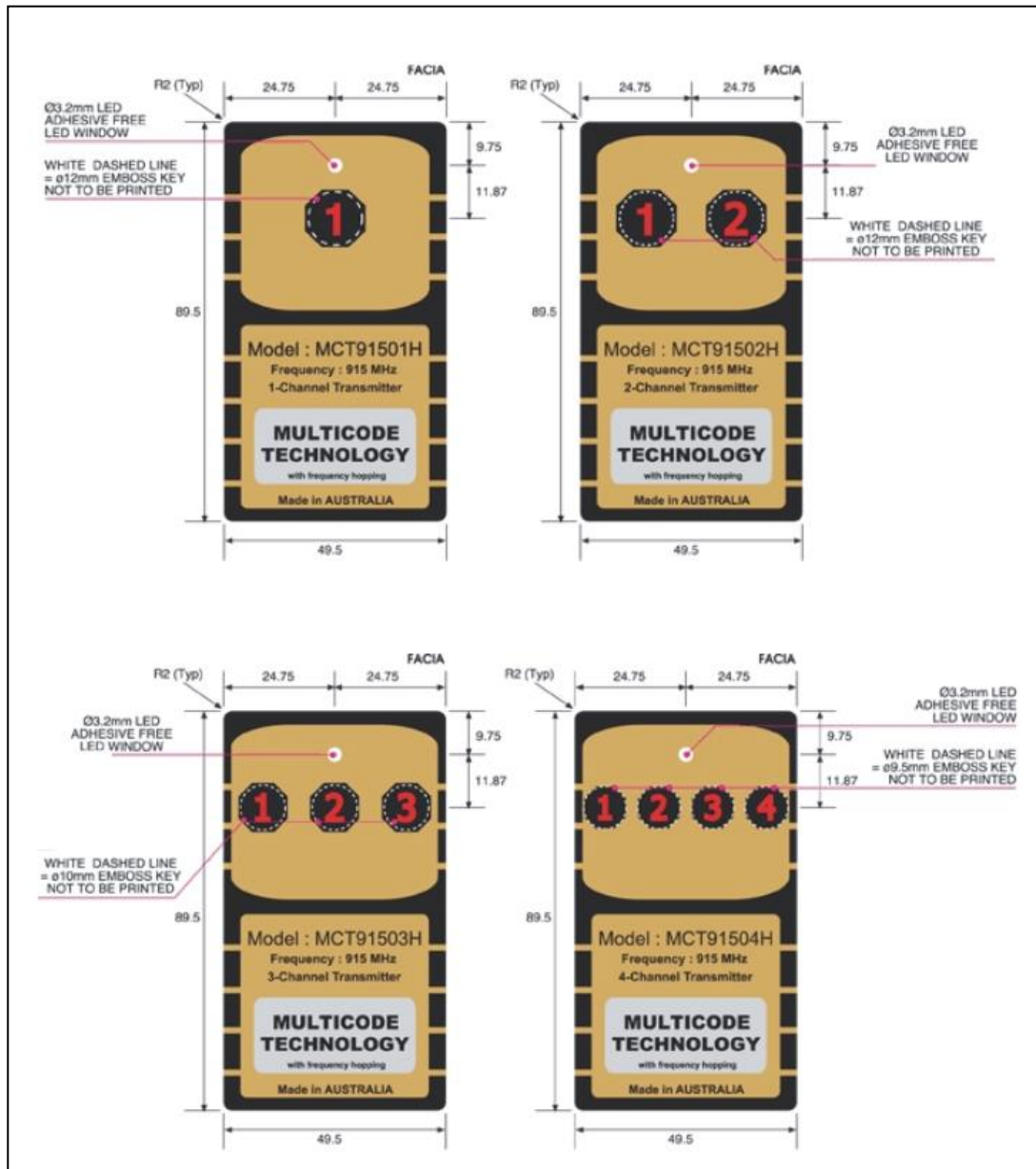
 <p>Model : MCT91501H Frequency : 915 MHz 1-Channel Transmitter</p> <p>MULTICODE TECHNOLOGY with frequency hopping Made in AUSTRALIA</p>	 <p>Model : MCT91502 Frequency : 915 MHz 2-Channel Transmitter</p> <p>MULTICODE TECHNOLOGY with frequency hopping Made in AUSTRALIA</p>	 <p>Model : MCT91503 Frequency : 915 MHz 3-Channel Transmitter</p> <p>MULTICODE TECHNOLOGY with frequency hopping Made in AUSTRALIA</p>	 <p>Model : MCT91504 Frequency : 915 MHz 4-Channel Transmitter</p> <p>MULTICODE TECHNOLOGY with frequency hopping Made in AUSTRALIA</p>
MCT91501	MCT91502	MCT91503	MCT91504

8, 12 and 16 Channel

The 8, 12 and 16_channels are available in a larger case. See 8, 12 and 16_channel data sheet for more details.

Customised labels

Customers can fit their custom made labels that can be a 1, 2, 3 or 4 channels. Details of label dimensions are given below.



Customers who wish to have their own membranes can contact us with their designs on (+61) 2 9609 4668.

You can have your own company logo and specific text printed on the lexans. e.g. Up, Down, Right and Left or Start, Stop etc.

The minimum quantity for custom lexan is 50 pieces per order.

Labeling/ Instruction Requirement

The MCT transmitters have been labelled in accordance with FCC and Australian regulations in effective to the day of this document. No further labelling is required, but it is necessary to include the FCC compliance statement and Declaration of Conformity in the end users product statement.

12-Way Dipswitch Setup Instructions

To program the transmitter to the receiver you simply match the transmitter and receiver dipswitches. Do not use all dipswitches in the off position. This sets the transmitter to encrypted coding. See encrypted coding instructions.

To avoid interference or jamming from other MCT series transmitters make sure that the first 8 dip switches (Dipswitch 1 to 8) are different. The first 8 dipswitches select different frequencies.

Advanced Dipswitch Programming Features

This feature allows the user to configure very sophisticated systems by mixing and matching different MCT transmitters to MCR receivers.

Dipswitches 9, 10, 11 and 12 will determine the position of the first channel on the transmitter and receiver. Other channels are automatically sequentially placed.

Relay	Dipswitch 9	Dipswitch 10	Dipswitch 11	Dipswitch 12
Position 1	0	0	0	0
Position 2	0	0	0	1
Position 3	0	0	1	0
Position 4	0	0	1	1
Position 5	0	1	0	0
Position 6	0	1	0	1
Position 7	0	1	1	0
Position 8	0	1	1	1
Position 9	1	0	0	0
Position 10	1	0	0	1
Position 11	1	0	1	0
Position 12	1	0	1	1
Position 13	1	1	0	0
Position 14	1	1	0	1
Position 15	1	1	1	0
Position 16	1	1	1	1

1 = Dip Switch in “On” position 0 = Dip Switch in “Off” position

Example:

Using a 4-channel MCR91504 receiver with a 1-channel MCT91501 transmitter.

If the MCR91504 has 0101 0100 1000 set to the 12 way dipswitch, this sets the receiver first relay (Ch.1) to position 9 i.e. 1000. The other channel addresses are sequentially placed.

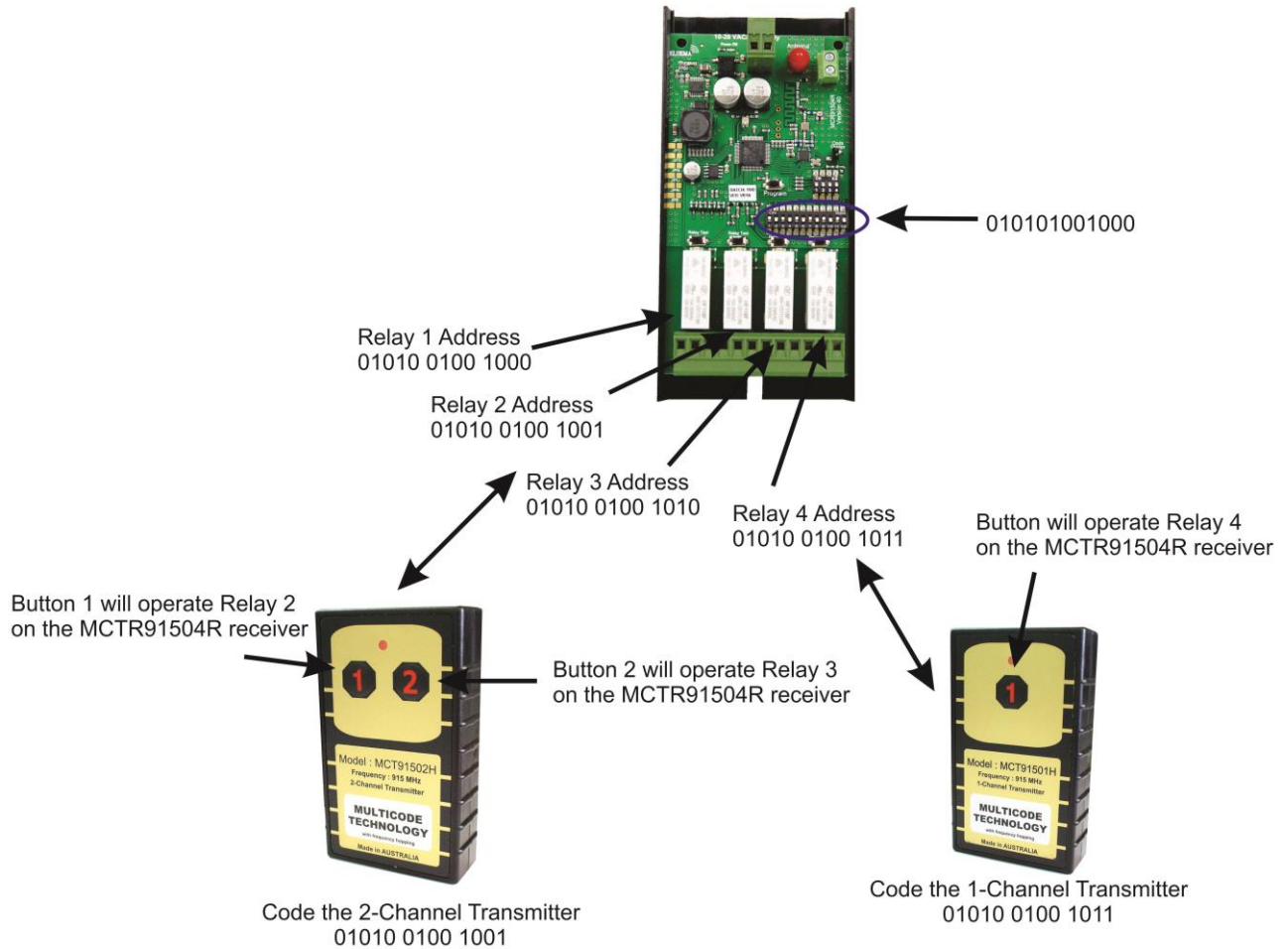
This is shown in the table below:

Relay Channel	Position	DS 9	DS 10	DS 11	DS 12	Comment
1	9	1	0	0	0	First Relay, Channel 1 on MCR91504
2	10	1	0	0	1	MCT91502 operates Relay 2 and 3
3	11	1	0	1	0	MCT91502 operates Relay 2 and 3
4	12	1	0	1	1	MCT91501 operates Relay 4

To program a 1-button MCT91501 transmitter to receiver relay channel 4 you need to set the transmitters dip switch to 0101 0100 1011.

To program a 2-button MCT91502 transmitter to receiver relay channel 2 and 3 you need to set the transmitter dip switch to 0101 0100 1001. The second button on the transmitter automatically operates relay 3

This example is shown graphically below:



Encrypted Coding Setup Instructions

To change the transmitter and receiver to encrypted coding set all dipswitches on the 12-way dipswitch to the off position. The encrypted code is a randomly selected code out of 16 million different combinations.

The user can change the code by shorting out the Add/Delete pin on the receiver. The orange LED comes on while the Add/ Delete pins are shorted, to confirm the change of code was successful. If this is done all transmitters and receivers need to be programmed again with the new code.

Any programming combination is possible, for example transmitter to transmitter, receiver to receiver, transmitter to receiver or visa versa.

Programming Steps

1. Make sure all dip switches are in an off position on all transmitters and receivers.
2. Make sure power is connected to the receiver and transmitter.
3. If programming from a receiver, short out the Add/Delete pin to select a random code. The receivers orange LED comes on to confirm the change of code was successful. **Do not do this step if you are adding extra transmitters to the receiver since already programmed units will be deleted.**
4. Set one of the units, either receiver or transmitter, to broadcast its code. The broadcaster’s code will be programmed to the other units.
 - 4a. To broadcast the receivers code make sure all 12 dipswitches are off and then flick dip switch 12 on and then off. This is confirmed by the green LED being on for 10 seconds.
 - 4b. To broadcast the transmitter code hold down button 1 and flick dip switch 12 on and then off. This is confirmed by the green LED being on for 10 seconds. You can release button 1.
5. While broadcasting the code press button 1 on a different transmitter or receiver for 1 second and then release the button. The orange LED will flash twice to confirm successful programming.

Broadcasting will be latched on for 10 seconds or stop if any dipswitch is turned on. If orange LED did not flash twice try programming again but move closer to the broadcasting unit.

During programming all channels are channelised programmed. That is, button 1 to relay 1, button 2 to relay 2, button 3 to relay 3, etc.

This programming method allows a user to program unlimited number of transmitters to the receiver or vice versa. You can even program a transmitter to a new transmitter. You do not need to get access to the receiver.

Many of the Multicode technology features are industry firsts, so take your time to read the manuals and let the technology take you away.
Watch your competitors follow you

REGULATORY COMPLIANCE STATEMENTS

American Users

This device complies with Part 15 of the FCC Rules. Operation is subject to the following two conditions:

- (1) This device may not cause harmful interference and
- (2) This device must accept any interference received, including interference that may cause undesired operation.

FCC Notice

This device has been tested and found to comply with the limits for a Class B digital device, pursuant to Part 15 of the FCC Rules. These limits are designed to provide reasonable protection against harmful interference in a residential installation. This device generates, uses, and can radiate radio frequency energy and, if not installed and used in accordance with the instruction, may cause harmful interference to radio communications. However, there is no guarantee that interference will not occur in a particular installation. If this device does cause harmful interference to other device, the user is encouraged to try to correct the interference by one or more of the following measures:

- Reorient or relocate the receiving antenna.
- Increase the separation between the equipment and receiver.
- Connect the equipment into an outlet on a circuit different from that to which the receiver is connected.
- Consult the dealer or an experienced radio/TV technician for help.

Caution: Any changes or modifications not expressly approved by the grantee of this device could void the user's authority to operate the equipment.

Canadian Users

This device complies with Innovation, Science and Economic Development Canada's licence-exempt RSSs. Operation is subject to the following two conditions:

- (1) This device may not cause interference; and
- (2) This device must accept any interference, including interference that may cause undesired operation of the device.

Cet appareil est conforme aux flux RSS exemptés de licence d'Innovation, Science et Développement économique Canada. L'opération est soumise aux deux conditions suivantes:

- (1) Cet appareil ne doit pas provoquer d'interférence; et
- (2) Cet appareil doit accepter toute interférence, y compris les interférences susceptibles de provoquer un fonctionnement indésirable de l'appareil.

ISED Radiation Exposure Statement

[English] Radiation Exposure Statement: This equipment complies with the IC RSS-102 radiation exposure limits set forth for an uncontrolled environment. This equipment should be installed and operated with a minimum distance of 20 cm between the radiator and your body.

[French] Énoncé d'exposition aux rayonnements: Cet équipement est conforme aux limites d'exposition aux rayonnements ioniques RSS-102 Pour un environnement incontrôlé. Cet équipement doit être installé et utilisé avec un Distance minimale de 20 cm entre le radiateur et votre corps.

Australian and New Zealand Users

This device has been tested and found to comply with the limits for a Class [B] digital device, pursuant to the Australian/New Zealand standard AS/NZS 4268 set out by the Spectrum Management Agency.