

E80L series

90° Wall Mount LED Flashing Lights with buzzer



Features

- Rated voltage 12 to 24 Volts DC
- LED Technology
- Flashing or continuous mode
- 60-80 flashes per minute
- Available colours amber, blue, red & green
- IP65 Rated (Outdoor use)

Application

- Indicate movement for automatic gates and doors for added safety.
- Use on forklifts, trucks, cars or warehouses to indicate caution.

Description

The E80L series of flashing lights flash at a rate of 60-80 flashes per minute when it's powered up. These flashing lights have a built-in buzzer. The flashing action can be switched “off” if not required. The lights can be used in a variety of applications such as warning lights to indicate danger. It can be used on automatic gates, trucks, carts, forklifts and many other applications in an outdoor environment.

Technical Data

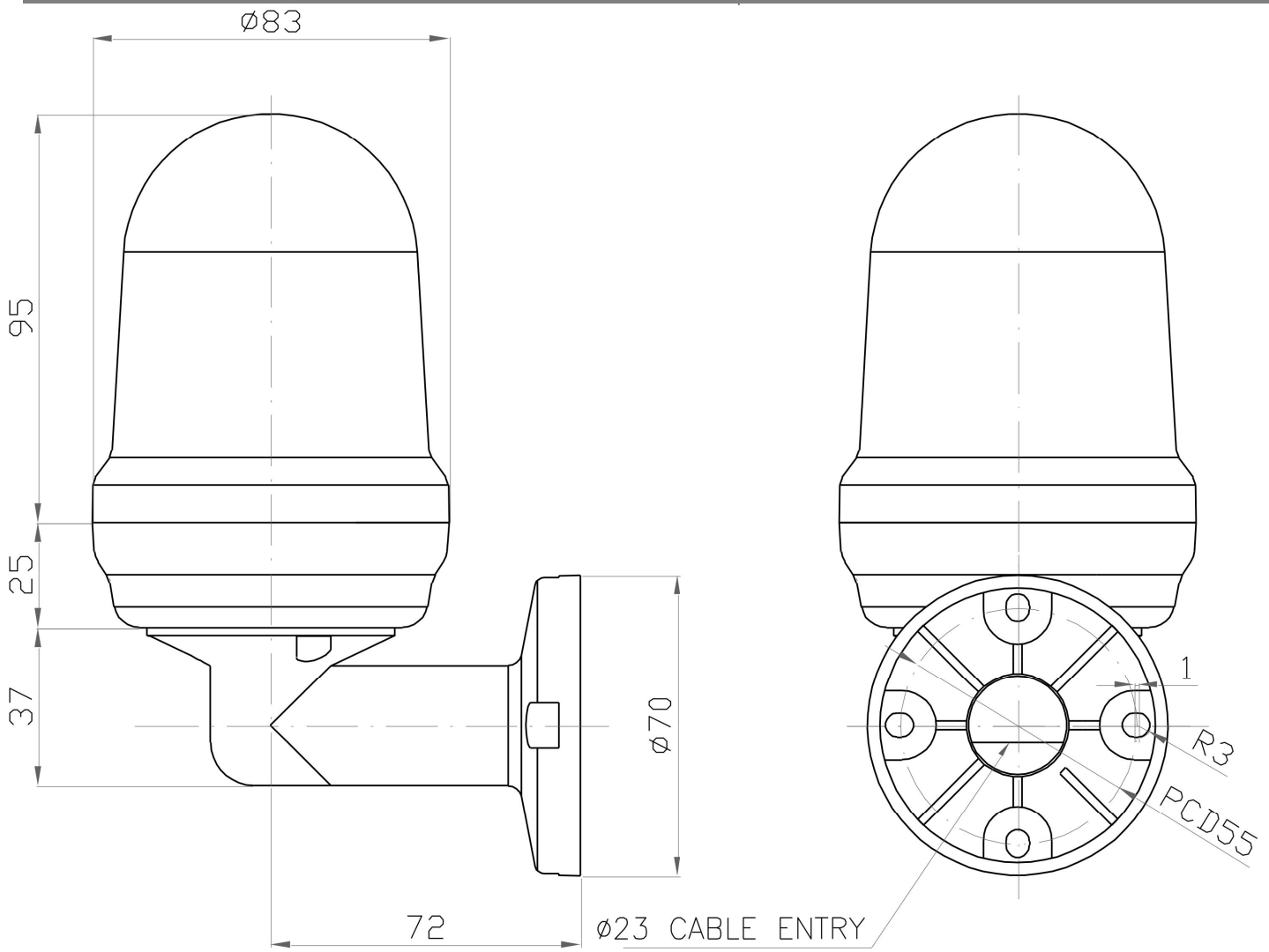
Power Source	12 to 24 Volts DC	Ordering Code
Current Consumption	180mA	E80L-A
Flash rate	60-80 flashes/minute	E80L-B
Material	Lens-Polycarbonate, Body-ABS	E80L-R
Base color	Black	E80L-G
Buzzer	80 ± 3dB at 1 metre	
Lens colours	Amber, blue, red & green	
Dimensions	147 x 114 mm	

Flashing Action

Flashing action can be disabled on the E80L series of flasher lights. In order to switch “off” the flashing action follow the steps below:

1. Remove the lens by turning it anti-clockwise.
2. Once removed locate the 1-way selector switch.
3. Setting this switch on “L” position is for steady action and “LF” is for flashing action.
4. After doing these changes make sure you put the lens back on firmly.

Dimensions



Manufactured by

Elsema Pty Ltd
31 Tarlington Place, Smithfield
NSW 2164, Australia
Ph: 02 9609 4668
Fax: 02 9725 2663
Website: <http://www.elsema.com>

Distributed by

