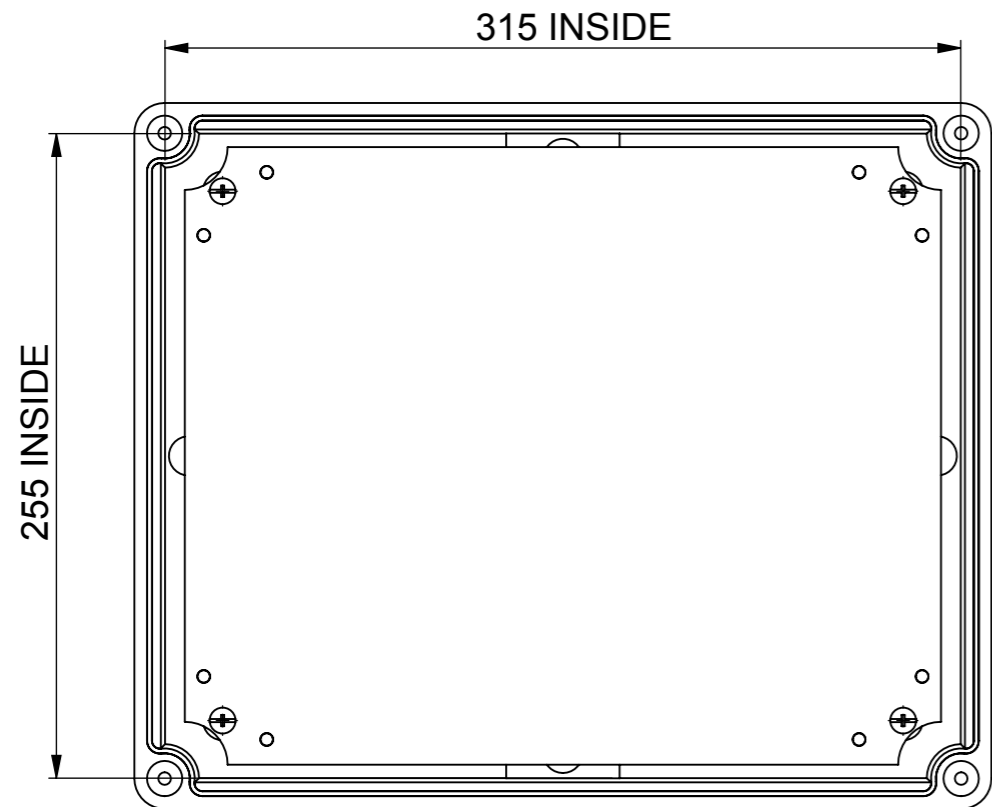
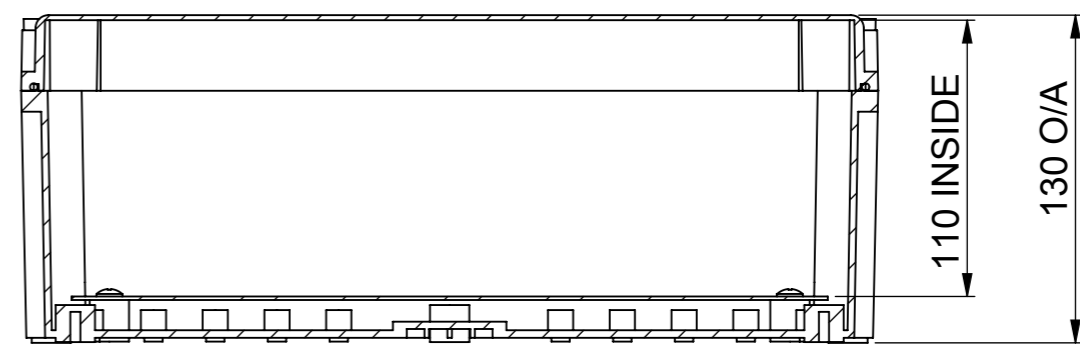
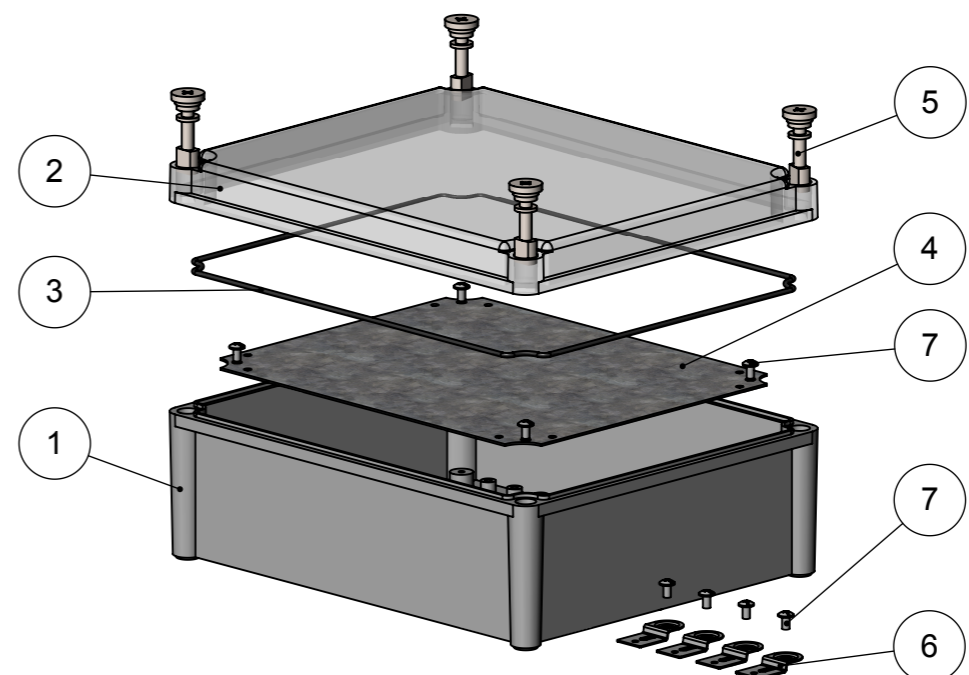


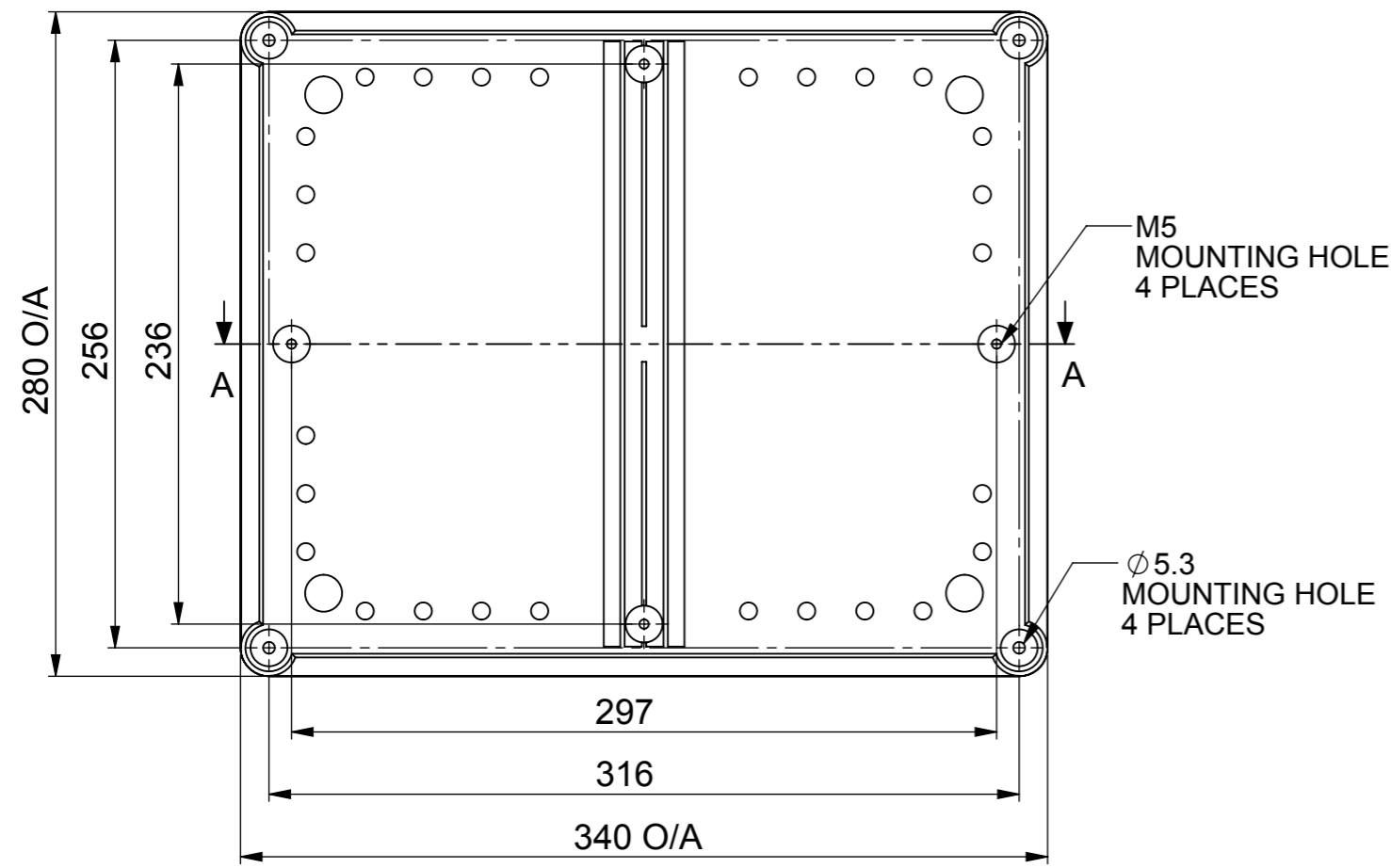
REV.	DESCRIPTION	REVISED BY	DATE



TOP VIEW (LID WAS HIDDEN TO SHOW INSIDE)



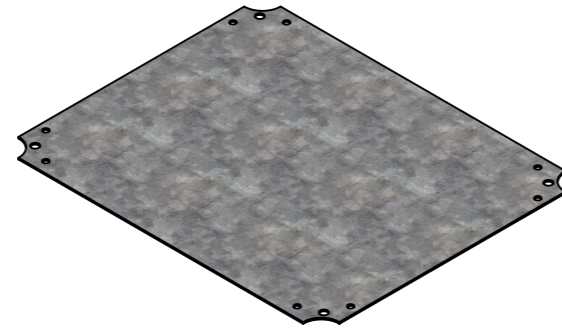
SECTION A-A



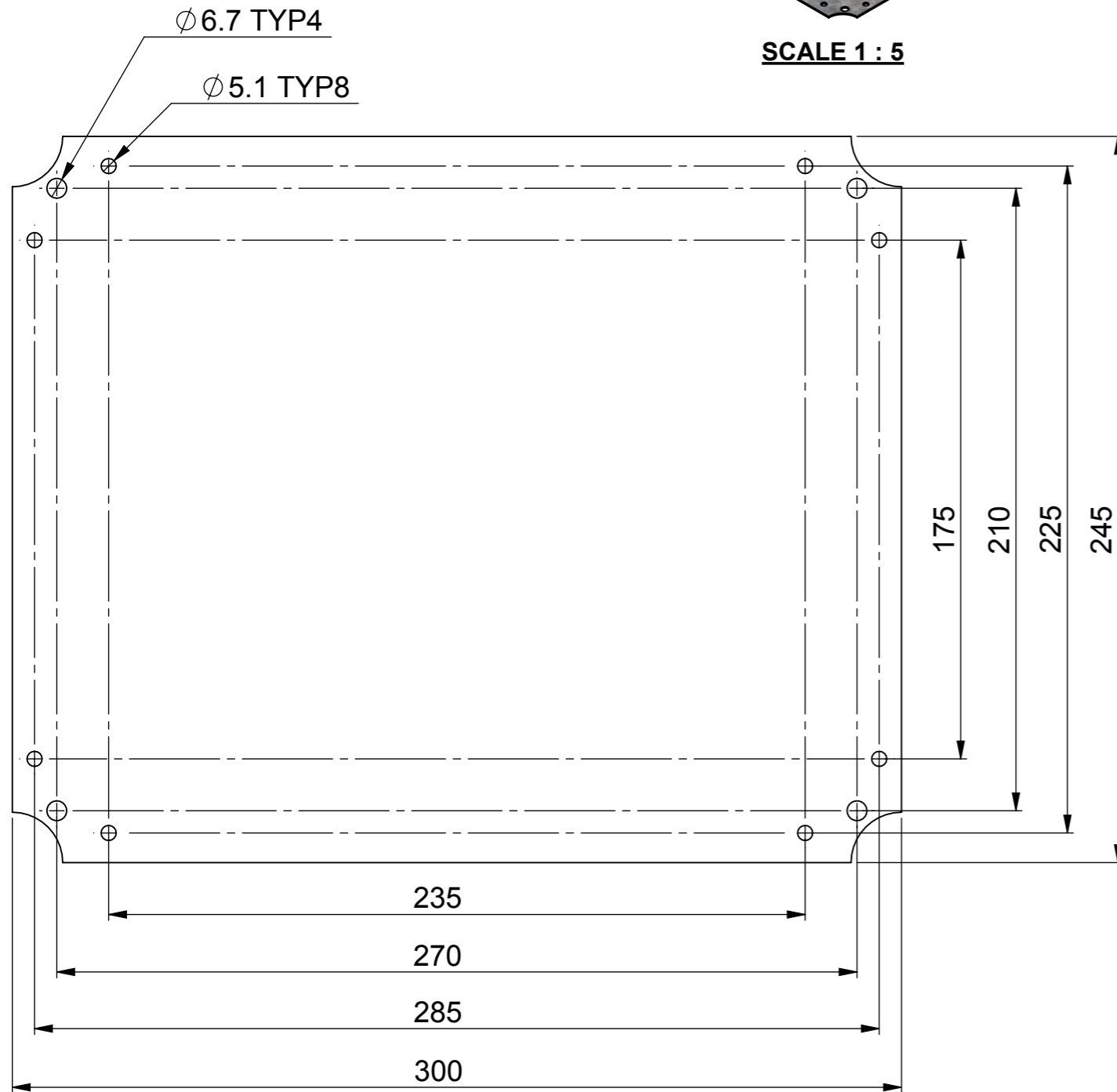
BACK VIEW

ITEM NO.	DESCRIPTION	SHEET NUMBER	MATERIAL	QTY.
7	SCREW M5X9 - PAN HEAD	SHEET 1	ZINC PLATED	8
6	MOUNTING BRACKET	SHEET 2	STAINLESS STEEL 1.0mm	4
5	LID SCREW	SHEET 1	POLYCARBONATE (PC)	4
4	MOUNTING PLATE	SHEET 2	GALVANIZED STEEL 1.4mm	1
3	SEAL	SHEET 1	EPDM RUBBER	1
4	TRANSPARENT LID	SHEET 1	POLYCARBONATE (PC)	1
1	LOWER CASE	SHEET 1	POLYCARBONATE (PC)	1

<p>IF IN DOUBT ASK</p> <p>DO NOT SCALE DRAWING DIMENSIONS IN MILLIMETRES ANGLES IN DEGREES</p> <p>TOLERANCE UNLESS OTHERWISE SPECIFIED</p> <p>LINEAR x ± 1 x.x ± 0.5 x.xx ±</p> <p>ANGULAR x ± 1 x.x ±</p>	<p>© Copyright ELSEMA PTY LTD ABN: 77 001 562 563 31 Tarlington Place Smithfield NSW 2164 Australia Telephone (61 2) 9725 1180 Facsimile (61 2) 9725 2663</p> <p>DRAWN: L. LI</p> <p>CHECKED:</p> <p>APPROVED:</p>	<p>MATERIAL: SEE BOM</p>			
		<p>FINISH:</p> <p>DRAWING TITLE: CASE C3428T</p>			
<p>SCALE: A3 1:3</p>		<p>PART No: C3428T</p> <p>MODEL No:</p>	<p>DRAWING No: 10169</p>	<p>SHEET No: 1 of 2</p>	<p>REVISION: A</p>

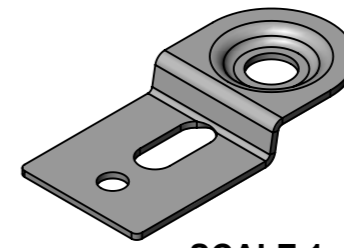


SCALE 1 : 5

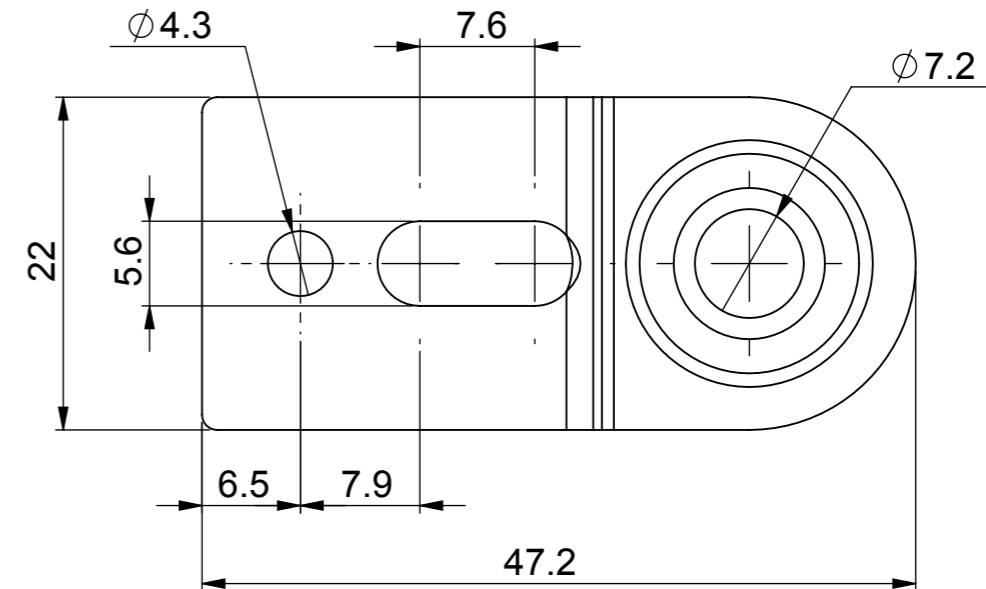
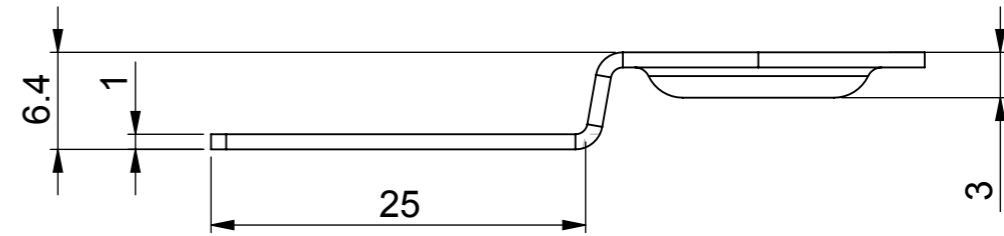


SCALE 1 : 2

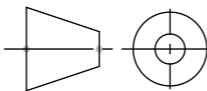

ITEM NO.4: MOUNTING PLATE



SCALE 1 : 1



ITEM NO.6: MOUNTING BRACKET

IF IN DOUBT ASK  DO NOT SCALE DRAWING DIMENSIONS IN MILLIMETRES ANGLES IN DEGREES		© Copyright ELSEMA PTY LTD ABN: 77 001 562 563 31 Tarlington Place Smithfield NSW 2164 Australia Telephone (61 2) 9725 1180 Facsimile (61 2) 9725 2663		MATERIAL: SEE BOM	
		DRAWN: L. LI		FINISH:	
TOLERANCE UNLESS OTHERWISE SPECIFIED LINEAR x ± 1 x.xx ± 0.5 x.xxx ± ANGULAR x ± 1 x.x ±		DRAWN: L. LI		DRAWING TITLE: CASE C3428T	
UNLESS OTHERWISE SPECIFIED LINEAR x ± 1 x.xx ± 0.5 x.xxx ± ANGULAR x ± 1 x.x ±		CHECKED: APPROVED:		SCALE: A3 2:1	PART No: MODEL No: 10169
				DRAWING No: 10169	SHEET No: 2 of 2
				REVISION: A	