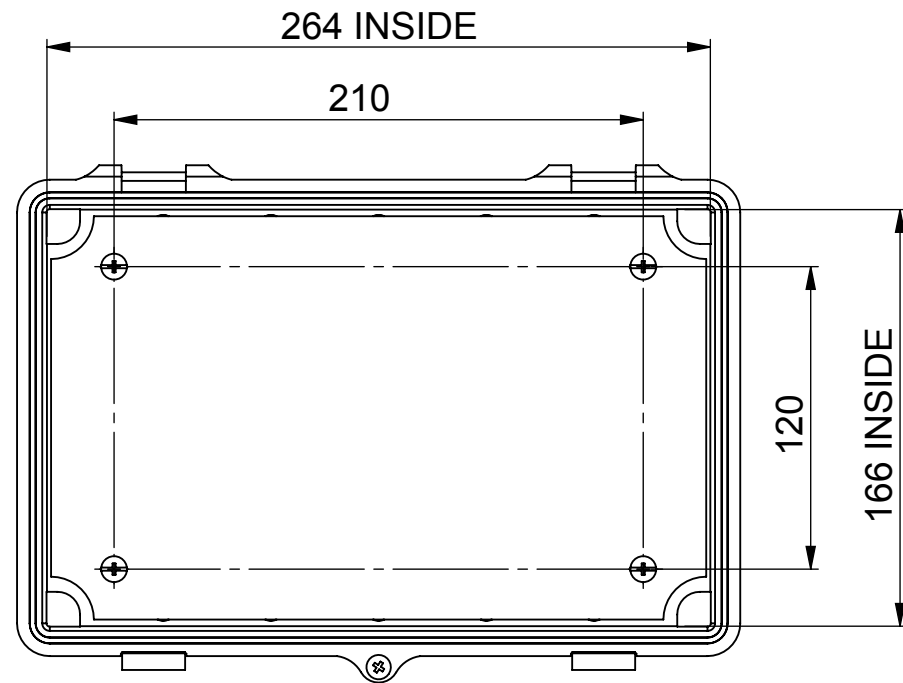
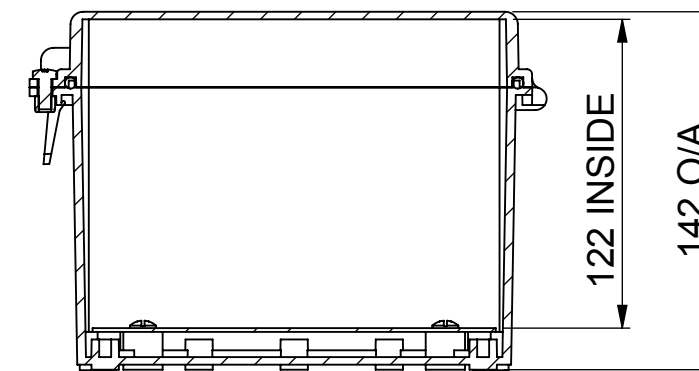
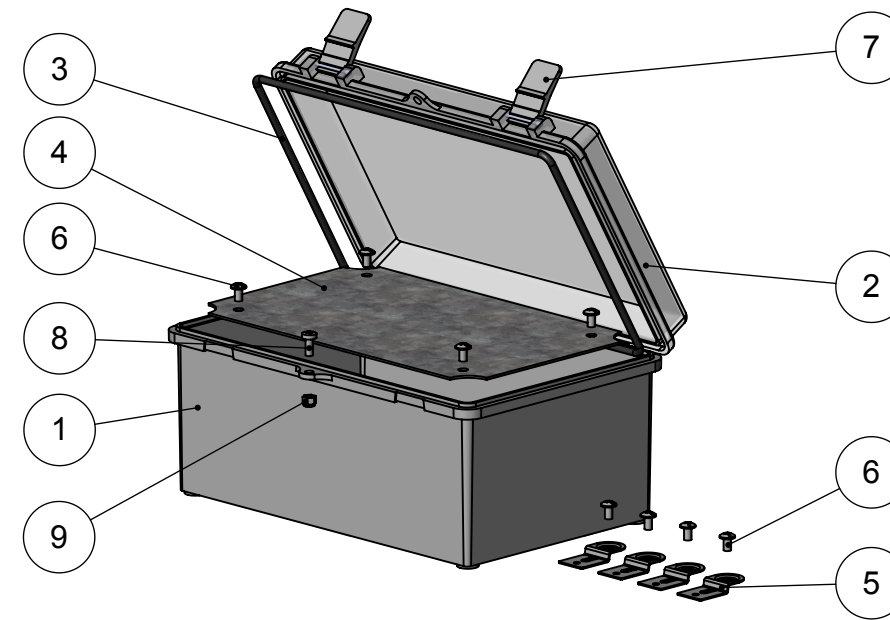


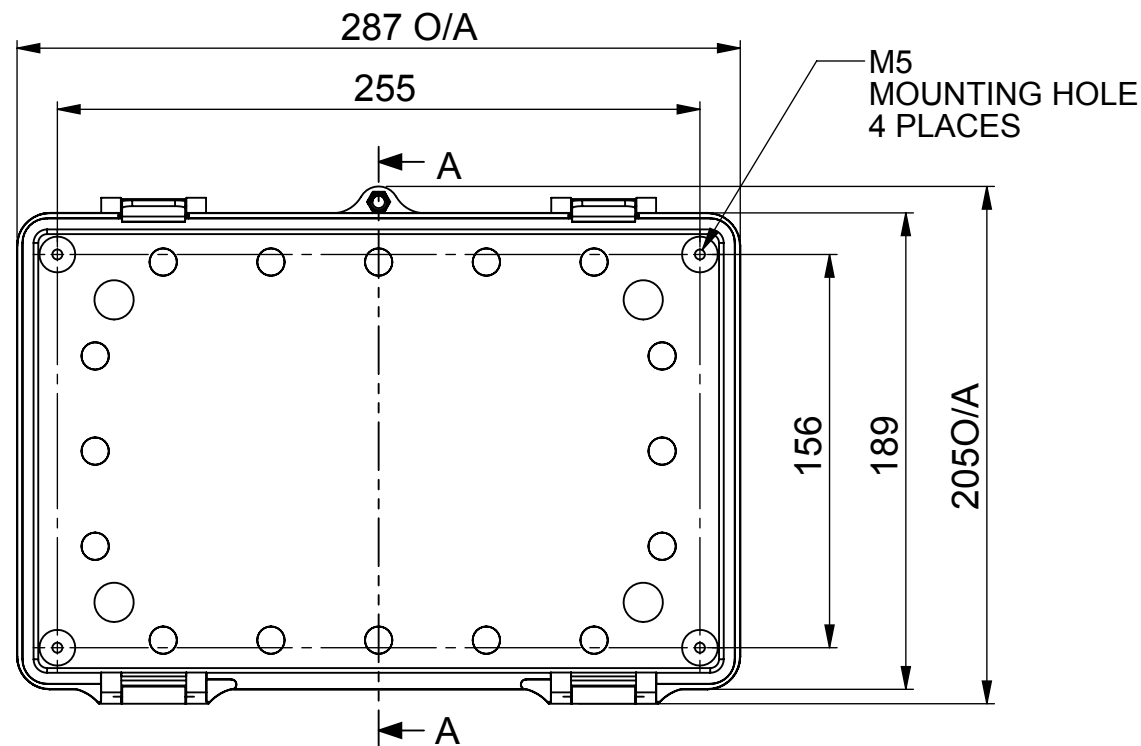
REV.	DESCRIPTION	REVISED BY	DATE



TOP VIEW (LID WAS HIDDEN TO SHOW INSIDE)



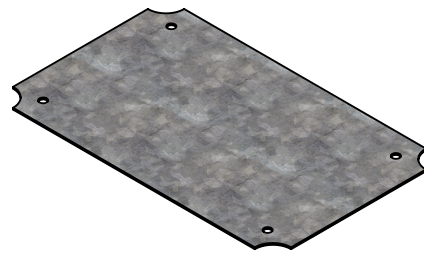
SECTION A-A



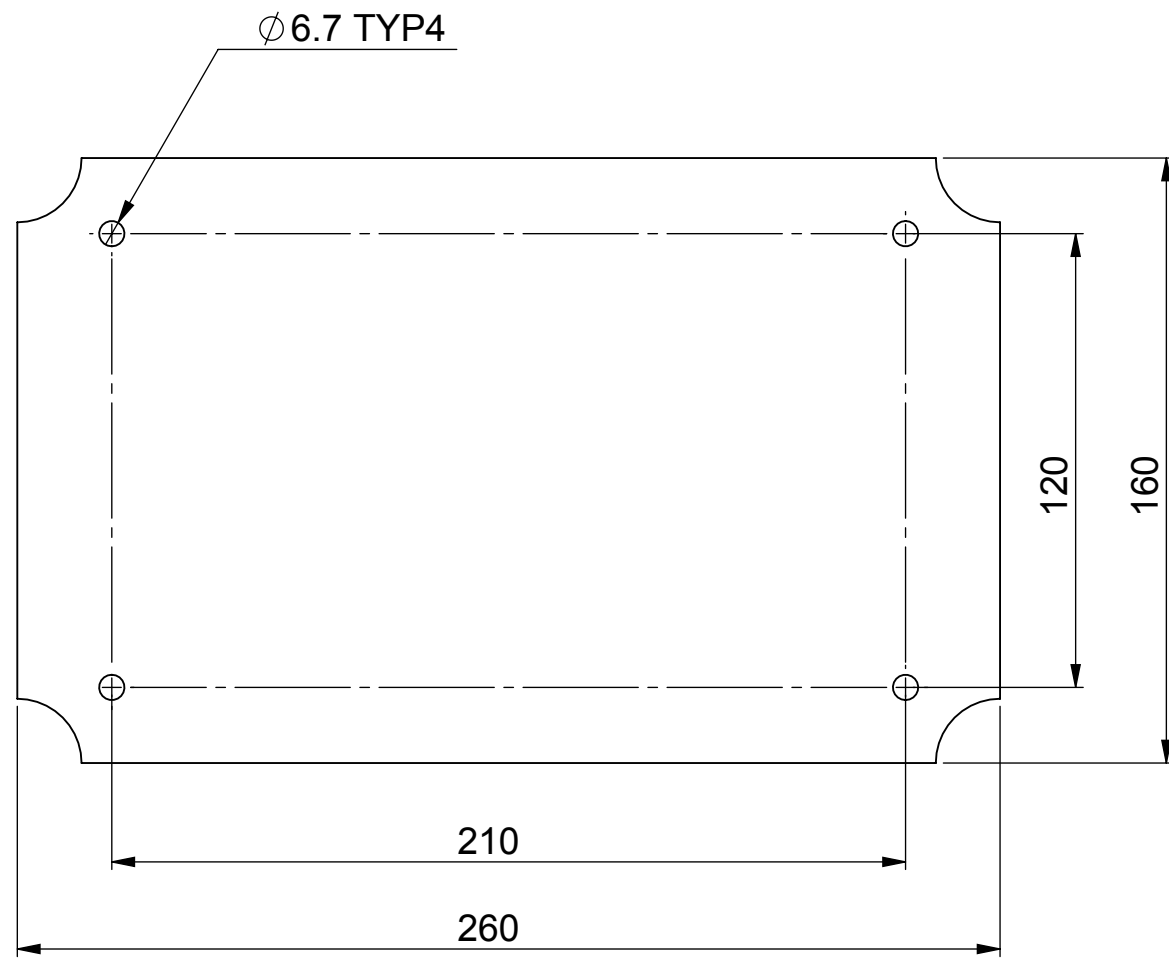
BACK VIEW

ITEM NO.	DESCRIPTION	SHEET NUMBER	MATERIAL	QTY.
9	NUT M5 HEX NYLON LOCK	SHEET 1	ZINC PLATED	1
8	SCREW M5X12 - PAN HEAD	SHEET 1	ZINC PLATED	1
7	LID LATCH	SHEET 1	POLYCARBONATE (PC)	2
6	SCREW M5X9 - PAN HEAD	SHEET 1	ZINC PLATED	8
5	MOUNTING BRACKET	SHEET 2	STAINLESS STEEL 1.0mm	4
4	MOUNTING PLATE	SHEET 2	GALVANIZED STEEL 1.5mm	1
3	SEAL	SHEET 1	EPDM RUBBER	1
2	TRANSPARENT LID	SHEET 1	POLYCARBONATE (PC)	1
1	LOWER CASE	SHEET 1	POLYCARBONATE (PC)	1

<p>IF IN DOUBT ASK</p> <p>DO NOT SCALE DRAWING DIMENSIONS IN MILLIMETRES ANGLES IN DEGREES</p> <p>TOLERANCE UNLESS OTHERWISE SPECIFIED</p> <p>LINEAR x ± 1 x.x ± 0.5 x.xx ±</p> <p>ANGULAR x ± 1 x.x ±</p>	<p>© Copyright ELSEMA PTY LTD ABN: 77 001 562 563 31 Tarlington Place Smithfield NSW 2164 Australia Telephone (61 2) 9725 1180 Facsimile (61 2) 9725 2663</p> <p>ELSEMA</p>	MATERIAL: SEE BOM			
		FINISH:			
DRAWN: L. LI		DRAWING TITLE: CASE C1929T			
CHECKED:		DATE: 30/03/2016			
APPROVED:		SCALE: A3 1:3	PART No: C1929T	DRAWING No: 10171	SHEET No: 1 of 2
		MODEL No:		REVISION: A	

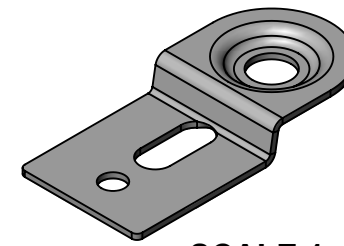


SCALE 1 : 5

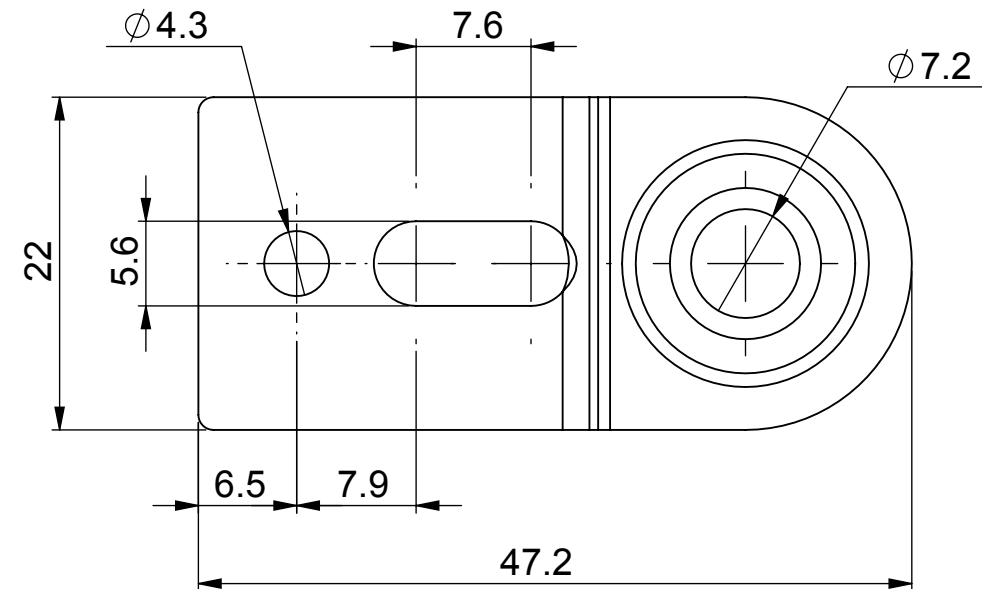
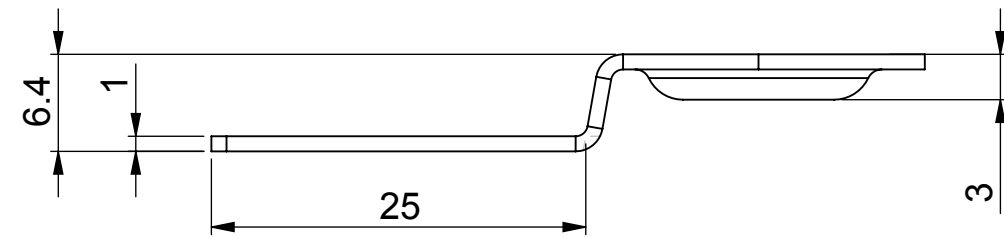


SCALE 1 : 2

ITEM NO.4: MOUNTING PLATE



SCALE 1 : 1



ITEM NO.6: MOUNTING BRACKET

IF IN DOUBT ASK DO NOT SCALE DRAWING DIMENSIONS IN MILLIMETRES ANGLES IN DEGREES	© Copyright ELSEMA PTY LTD ABN: 77 001 562 563 31 Tarlington Place Smithfield NSW 2164 Australia Telephone (61 2) 9725 1180 Facsimile (61 2) 9725 2663		MATERIAL: SEE BOM			
	DRAWN: L. LI		FINISH:			
TOLERANCE UNLESS OTHERWISE SPECIFIED LINEAR x ± 1 x.x ± 0.5 x.xx ± ANGULAR x ± 1 x.x ±		DATE: 30/03/2016		DRAWING TITLE: CASE C1929T		
CHECKED:		SCALE: A3 2:1	PART No:	DRAWING No: 10171	SHEET No: 2 of 2	
APPROVED:		MODEL No:		REVISION: A		