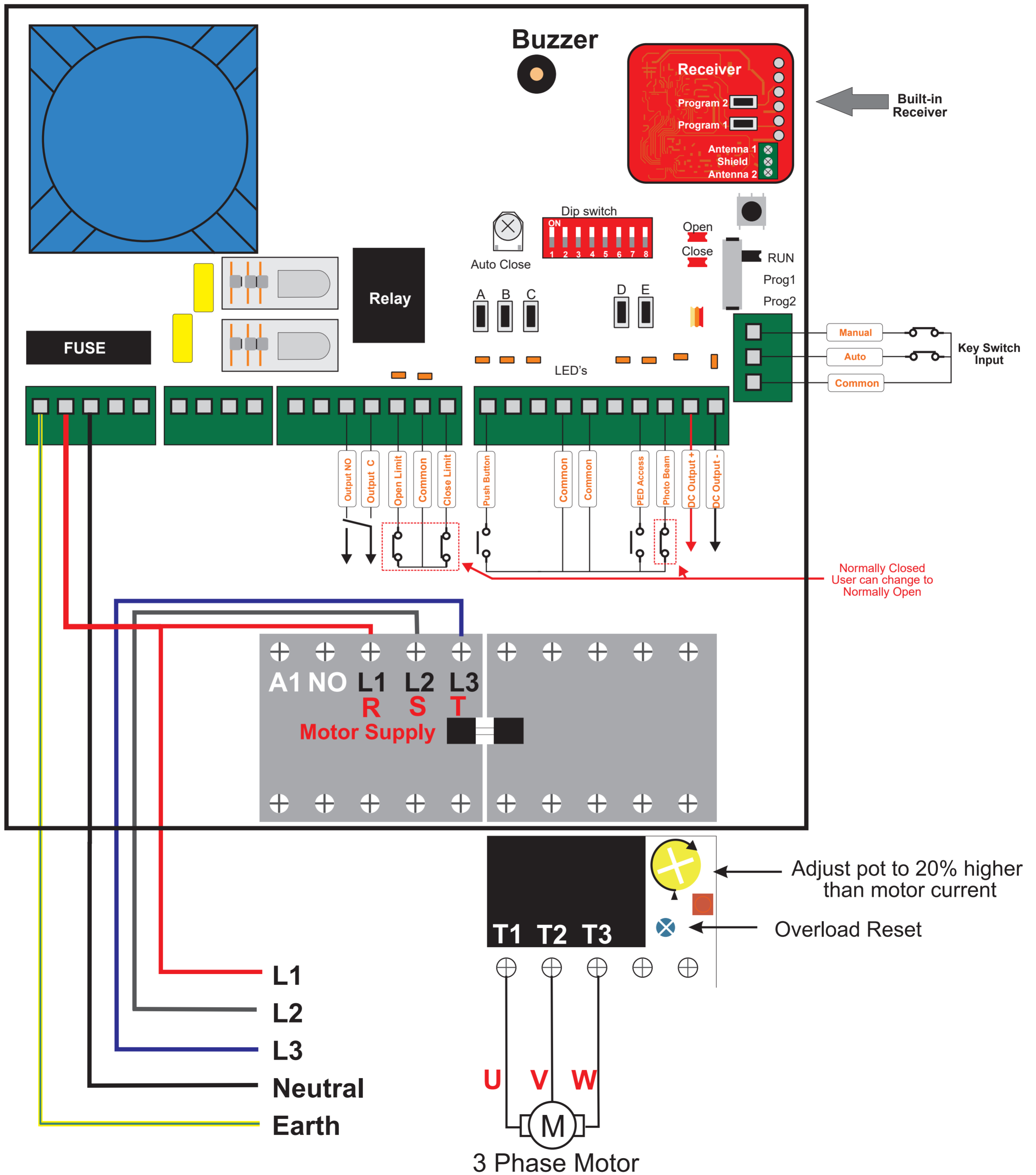


# 3-phase with neutral



# 3-phase without neutral

